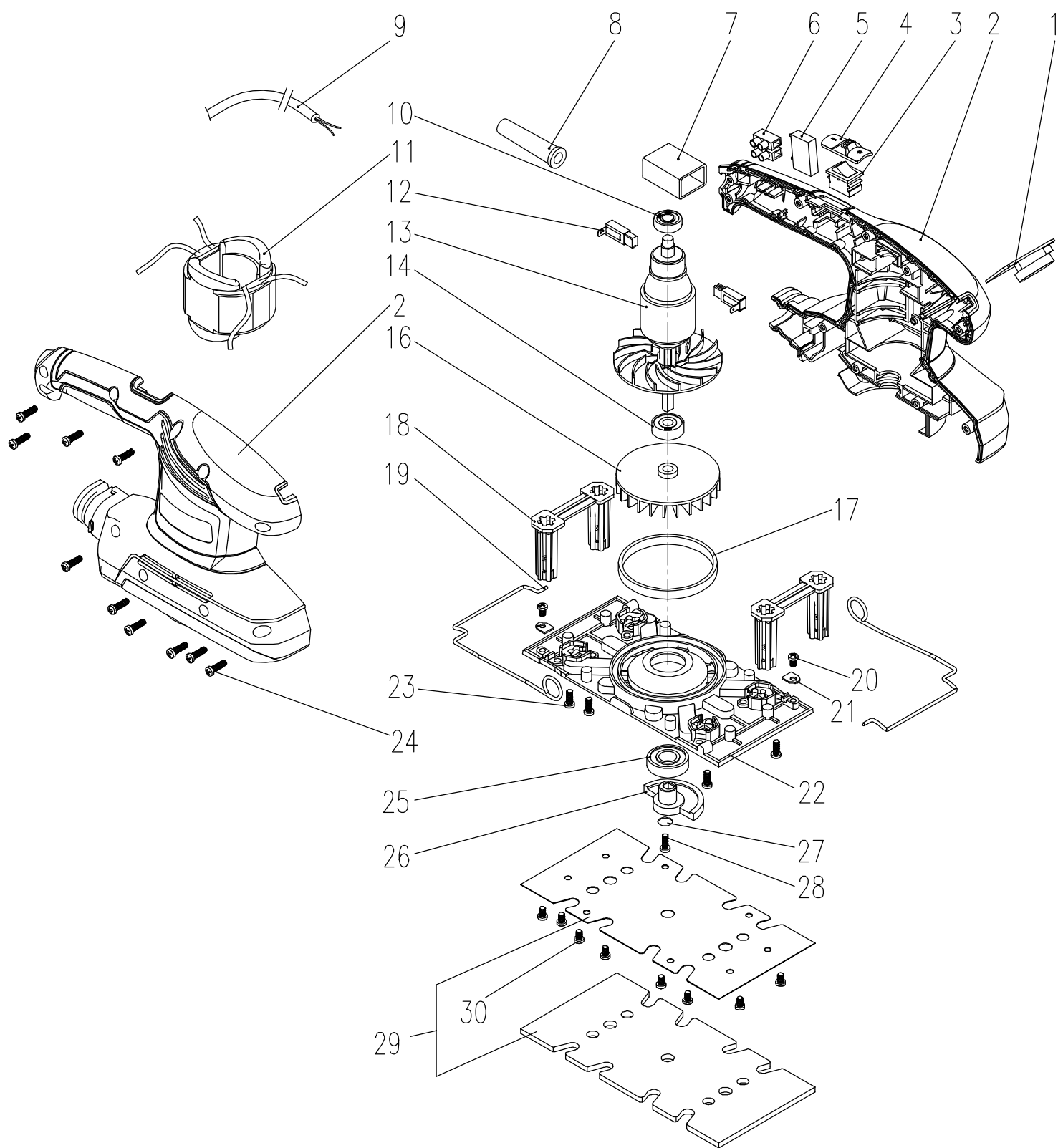


DX45

Version:00
Date:200402



Model No	Position No	Material No	Description	QTY	Remarks	Recommended order ratio	Serial No
DX45	1	60059303	PCB	1		3%	
DX45	2	60059304	Left/Right housing	1		1%	
DX45	3	60059305	Switch	1		3%	
DX45	4	60059306	Switch lock	1			
DX45	5	60059307	Capacitor	1			
DX45	6	60059308	Connection holder	1			
DX45	7	60059309	Take over	1			
DX45	8	60059310	Cord Protector	1			
DX45	9	60059311	Power cord	1	for EU,AE-VDE	1%	
DX45	9	60067029	Power cord	1	for UK,AE-BS	1%	
DX45	9	60068667	Power cord	1	for RU	1%	
DX45	10	60059312	Bearing 607	1		3%	
DX45	11	60059313	Stator	1		1%	
DX45	12	60059314	Carbon Brush(pair)	1		5%	
DX45	13	60059315	Rotor	1		1%	
DX45	14	60059316	Bearing 627	1		3%	
DX45	16	60059317	Absorb dust fan	1		3%	
DX45	17	60059318	Dust proof	1			
DX45	18	60059319	Support	2		3%	
DX45	19	60059320	Clamp	2		1%	
DX45	20	60059321	Self tapping screw	2			
DX45	21	60059322	Steel Wire Cover	2			
DX45	22	60059323	Base plate	1		1%	
DX45	23	60059324	Self tapping screw	4			
DX45	24	60059325	Self tapping screw	10			
DX45	25	60059326	Bearing 6001	1		3%	
DX45	26	60059327	Eccentric Wheel	1		1%	
DX45	27	60059328	Washer	1			
DX45	28	60059329	Screw	1			
DX45	29	60059330	Aluminium Plate&Foam base	1		1%	
DX45	30	60059331	Self tapping screw	8			